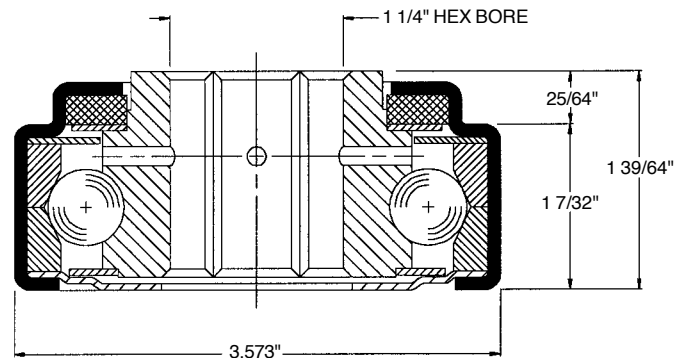


## Body Diameter = 3.573 in.

### Description:

- Straight-faced type non-precision bearing
- 2250 lb. per bearing load rating
- Thirteen 9/16 in. dia. hardened steel balls
- Pressed steel outer shell
- Front felt seal
- Front and back labyrinth shield
- Inner race drilled for pressure lubrication



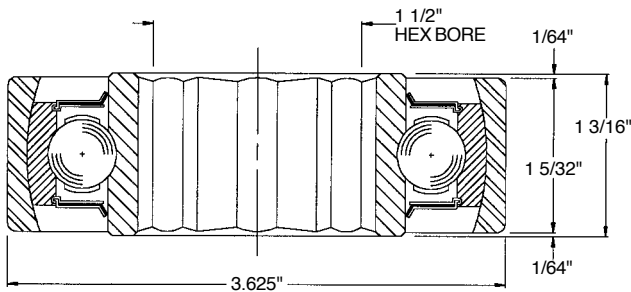
Bearing No. 102205

(2-10118)

## Body Diameter = 3.625 in.

### Description:

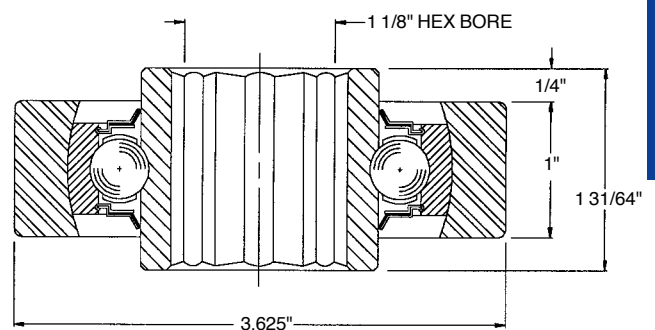
- Machined bearing sleeve - Part No. 26839
- Spherical O.D. precision bearing
- 3918 lb. per bearing load rating
- Nine 1/2 in. dia. hardened chrome alloy steel balls
- Ball retainers
- Front and back synthetic rubber seal
- Front and back shield



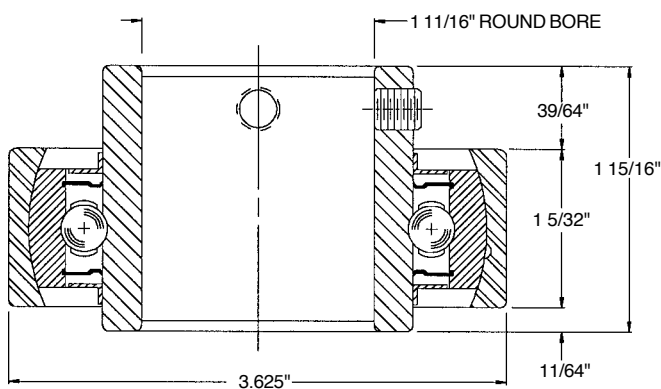
Assembly Part No. 27953 - Bearing No. 102222

### Description:

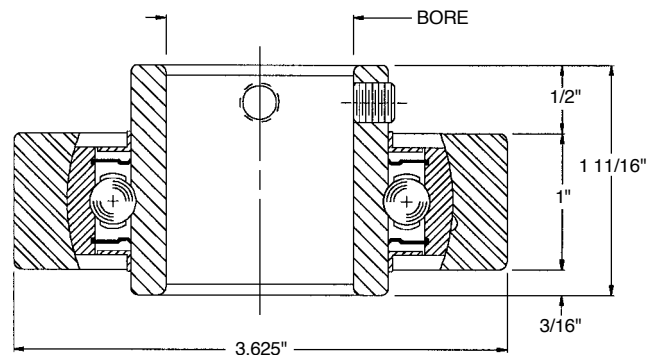
- Machined bearing sleeve - Part No. 24865
- Spherical O.D. precision bearing
- 3086 lb. per bearing load rating
- Nine 7/16 in. dia. hardened chrome alloy steel balls
- Ball retainers
- Front and back synthetic rubber seal
- Front and back shield



Assembly Part No. 27952 - Bearing No. 102220



Assembly Part No. 26838 - Bearing No. 102165



1 3/8 in. Round Bore - Assembly Part No. 27955 - Bearing No. 102215

1 7/16 in. Round Bore - Assembly Part No. 24864 - Bearing No. 102147

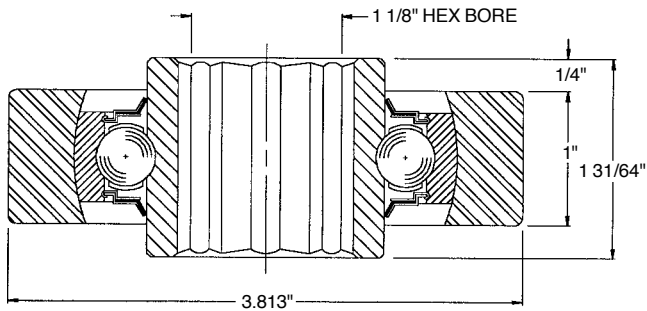
(2BRK902,72-902CU,9BRK702,22-702CU,32-702CU)

# Bearings

**Body Diameter = 3.813 in.**

## Description:

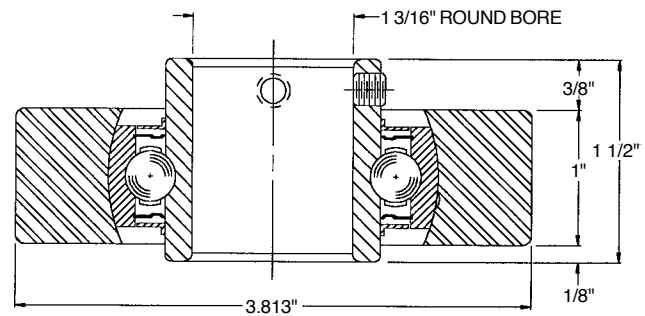
- Machined bearing sleeve - Part No. 27966
- Spherical O.D. precision bearing
- 3086 lb. per bearing load rating
- Nine 7/16 in. dia. hardened chrome alloy steel balls
- Ball retainers
- Front and back synthetic rubber seal
- Front and back shield



Assembly Part No. 27956 - Bearing No. 102220

## Description:

- Machined bearing sleeve - Part No. 27972
- Spherical O.D. precision bearing
- 2323 lb. per bearing load rating
- Nine 3/8 in. dia. hardened chrome alloy steel balls
- Ball retainers
- Front and back synthetic rubber seal
- Front and back shield



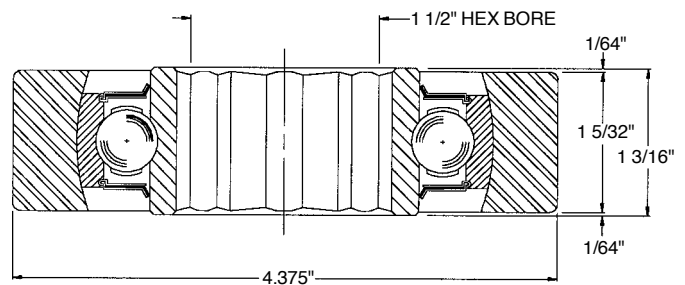
Assembly Part No. 27957 - Bearing No. 102216

(9BRRK702,91-602CU)

**Body Diameter = 4.375 in.**

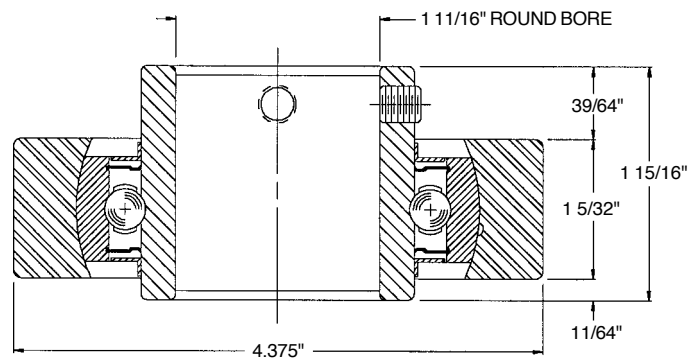
## Description:

- Machined bearing sleeve - Part No. 27967
- Spherical O.D. precision bearing
- 3918 lb. per bearing load rating
- Nine 1/2 in. dia. hardened chrome alloy steel balls
- Ball retainers
- Front and back synthetic rubber seal
- Front and back shield



Assembly Part No. 27958 - Bearing No. 102222

(2BRRK902)

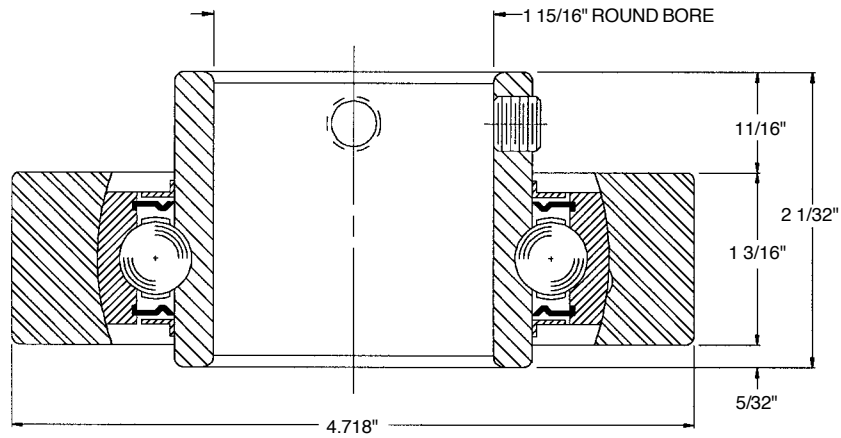


Assembly Part No. 27959 - Bearing No. 102165

(72-902CU)

### Description:

- Machined bearing sleeve - Part No. 27968
- Spherical O.D. precision bearing
- 4195 lb. per bearing load rating
- Ten 1/2 in. dia. hardened chrome alloy steel balls
- Ball retainers
- Front and back synthetic rubber seal
- Front and back shield

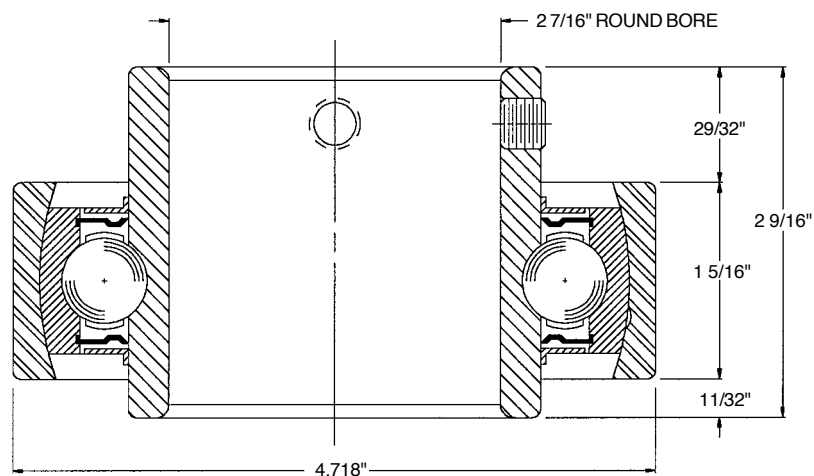


Assembly Part No. 27960 - Bearing No. 102217

(13-012CU)

### Description:

- Machined bearing sleeve - Part No. 27969
- Spherical O.D. precision bearing
- 6275 lb. per bearing load rating
- Ten 5/8 in. dia. hardened chrome alloy steel balls
- Ball retainers
- Front and back synthetic rubber seal
- Front and back shield



Assembly Part No. 27962 - Bearing No. 102218

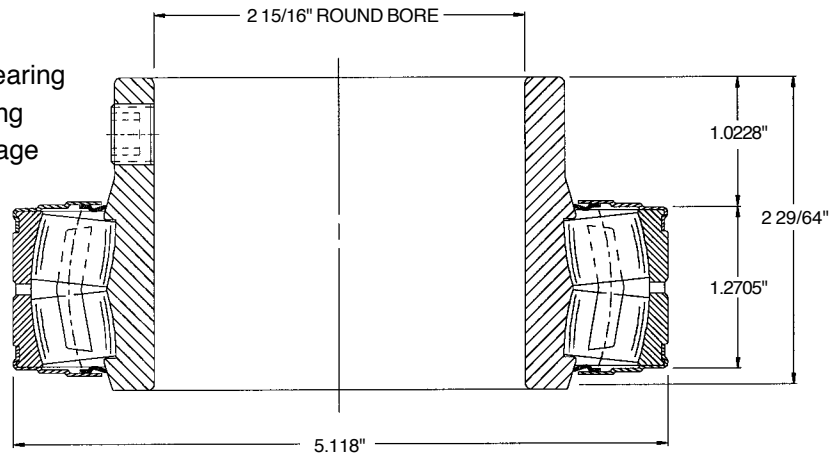
(93-212CU)

# Bearings

**Body Diameter = 5.118 in.**

**Description:**

- Straight-faced type precision bearing
- 32,230 lb. per bearing load rating
- Spherical roller bearings with cage separator
- Front and back nylon seal
- Front and back shield



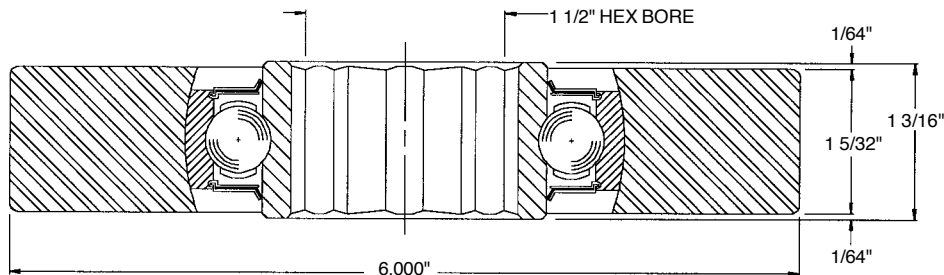
**Bearing No. 102203**

(452124)

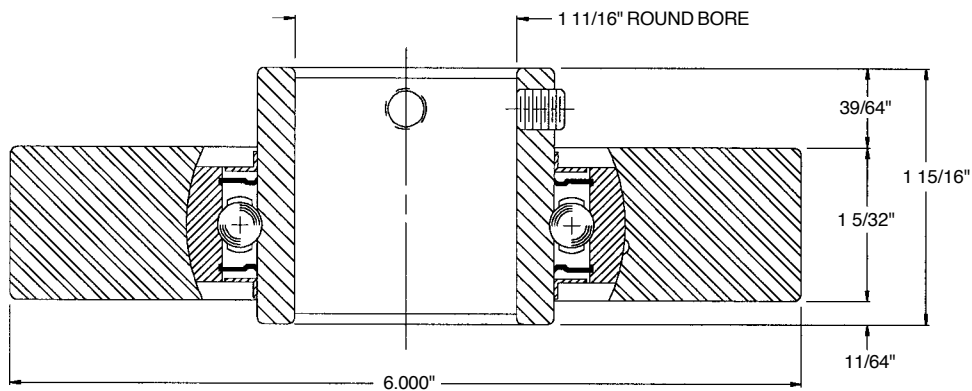
**Body Diameter = 6.000 in.**

**Description:**

- Machined bearing sleeve - Part No. 27970
- Spherical O.D. precision bearing
- 3918 lb. per bearing load rating
- Nine 1/2 in. dia. hardened chrome alloy steel balls
- Ball retainers
- Front and back synthetic rubber seal
- Front and back shield



**Assembly Part No. 27963 - Bearing No. 102222**



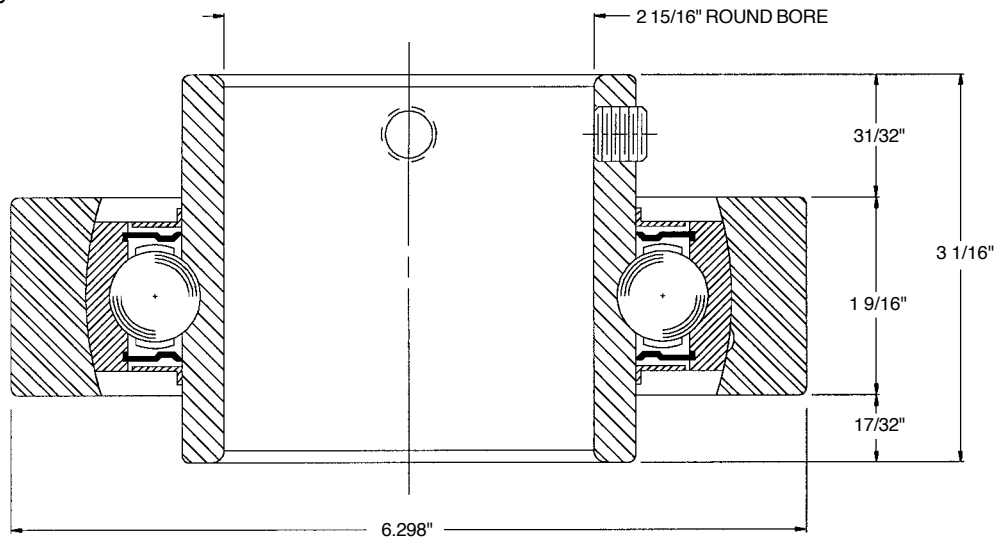
**Assembly Part No. 27964 - Bearing No. 102165**

(2BRRK902, 72-902CU)

Rollers, Bearings & Wheels

### Description:

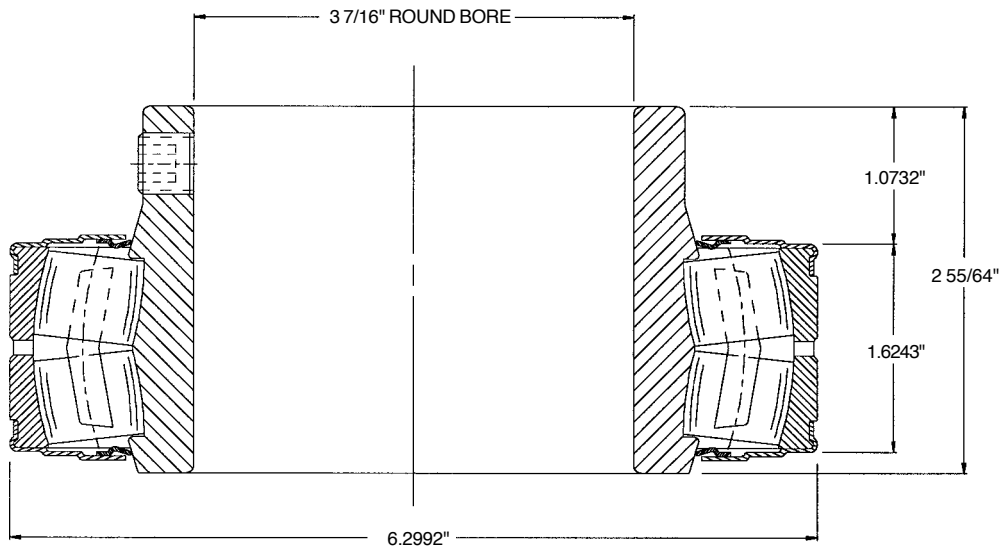
- Machined bearing sleeve - Part No. 27971
- Spherical O.D. precision bearing
- 7939 lb. per bearing load rating
- Ten 23/32 in. dia. hardened chrome alloy steel balls
- Ball retainers
- Front and back synthetic rubber seal
- Front and back shield



Assembly Part No. 27965 - Bearing No. 102219

### Description:

- Straight faced type precision bearing
- 49,700 lb. per bearing load rating
- Spherical roller bearings with cage separator
- Front and back nylon seal
- Front and back shield



Bearing No. 102204

(652124)